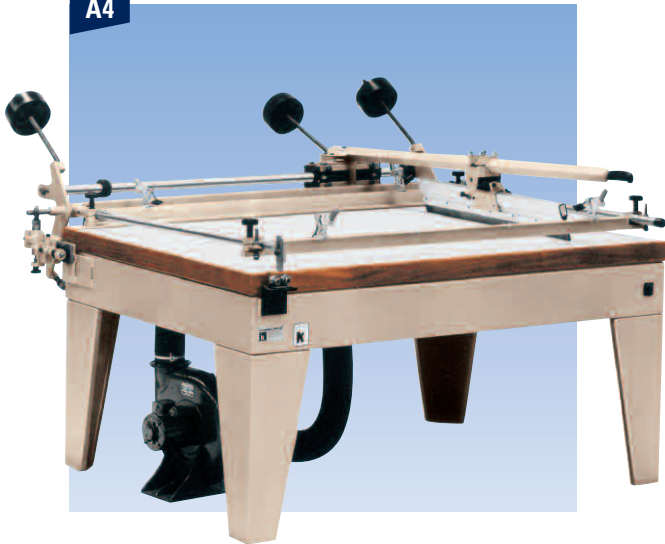




A4



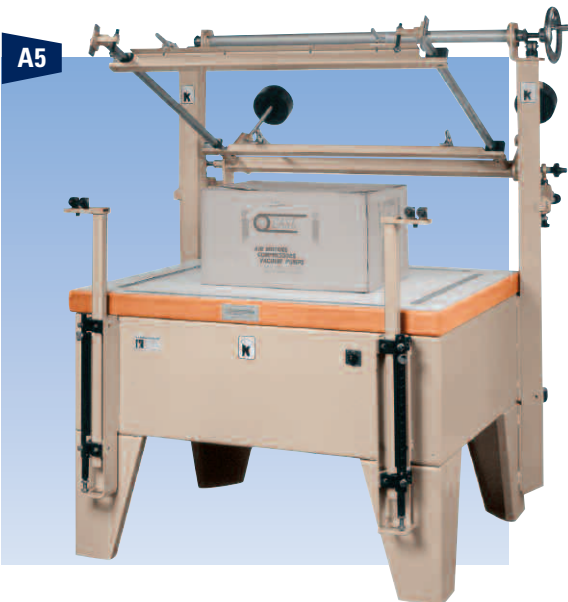
### THE kpx STANDARD HAND TABLE (A4)

- Supplied with or without one arm squeegee
- Rigid construction
- Precision bearings on pivot and carriage
- Fine pitch x - y registration on printing base
- Strong silent vacuum unit with auto on/off or foot controlled vacuum if required
- Off contact by hand wheel (option)

**Electrics:** 220/240v, Mono phase, 50/60 Hz, 8 amps

MODEL OA	Print Area	Max Screen	Overall Size
1520	15" x 20" 38cm x 50cm	33" x 34" 84cm x 86cm	51" x 72" 129cm x 182cm
2520	25" x 20" 63cm x 50cm	43" x 34" 109cm x 86cm	61" x 72" 154cm x 182cm
3020	30" x 20" 76cm x 50cm	48" x 34" 122cm x 86cm	66" x 72" 167cm x 182cm
4030	40" x 30" 101cm x 76cm	58" x 44" 147cm x 112cm	76" x 82" 193cm x 208cm
6040	60" x 40" 152cm x 101cm	78" x 54" 198cm x 137cm	96" x 98" 243cm x 248cm
9650	96" x 50" 243cm x 127cm	118" x 69" 299cm x 175cm	131" x 115" 323cm x 292cm

A5



### THE kpx 3D HAND TABLE (A5)

- Supplied with or without one arm squeegee
- Rigid construction
- To print components 0 - 20" deep (0 - 50cm)
- Printing bases can have vacuum or be manufactured to suit components
- The screen frame is raised and lowered by a hand wheel
- Printing base can be with or without x - y fine pitch registration

**Electrics:** 220/240v, Mono phase, 50/60 Hz, 8 amps

MODEL 3D	Max. Print Size	Max. Frame Size	Overall Dims
1621-3D	16" x 21" 40cm x 53cm	34" x 35" 86cm x 88cm	52" x 73" 132cm x 185cm
3226-3D	32" x 26" 81cm x 66cm	50" x 40" 127cm x 101cm	68" x 78" 172cm x 198cm
4030-3D	40" x 30" 101cm x 76cm	58" x 44" 147cm x 112cm	76" x 82" 193cm x 208cm
4535-3D	45" x 35" 114cm x 88cm	63" x 49" 160cm x 124cm	81" x 87" 205cm x 220cm
6040-3D	60" x 40" 152cm x 101cm	78" x 54" 198cm x 137cm	96" x 92" 243cm x 233cm